



ANALYSIS TOOL AND COMPUTER SIMULATION OF A DOUBLE LOBED HYPERBOLIC OMNIDIRECTIONAL CATADIOPTIC VISION SYSTEM

Marcello Marinho Ribeiro, marcello@unb.br

José Maurício S. T. da Motta, jmmotta@unb.br

Departamento de Engenharia Mecânica, Faculdade de Tecnologia, Universidade de Brasília, Campus Universitário Darcy Ribeiro, Asa Norte, 70910-900, Brasília, Brasil.

Abstract. *An omnidirectional catadioptric vision system has the capacity to acquire images with a 360° field-of-view by using a convex mirror. A hyperbolic double lobed mirror has the single view point property, which allows the acquisition of two different images of the same scene simultaneously, making possible stereoscopy. Correspondence of points between the two images lies on a straight line, reducing the computational complexity of the system, which is an advantage for real time stereo navigation systems. Using the single view point property of hyperbolic catadioptric systems, it is possible to perform the rectification of cylindrical panoramic images to omnidirectional images as a function of the mirror design parameters. This work presents the construction of a computer system to transform cylindrical panoramic images to stereo omnidirectional catadioptric images by using a model of a double lobed hyperbolic mirror, allowing free choice of the mirror model geometric parameters to achieve omnidirectional stereoscopy. The system performs an assessment of the sensitivity of hyperbolic double lobed mirror parameters in the reconstruction of 3D scenes. It is also discussed the influence the mirror parameters has on the dimensional errors of the 3D scene reconstruction process.*

Keywords: *catadioptric systems, omnidirectional vision, hyperbolic mirror, stereoscopy*

1. INTRODUCTION

The development of systems that use panoramic images (images that capture 360° information from scenes, also named omnidirectional images) has become a continuous research focus (Caron *et al* (2012), Becker & Nayar (1998), Barreto & Araujo (2001)). Such vision systems could be used, for instance, in robotic autonomous navigation. (Corrêa *et al*(2006), Deccó (2004))

By focusing on increasing camera's ability to capture information from an environment, the omnidirectional vision system raises a variety of techniques for that purpose. One of those techniques is to build an omnidirectional system that uses convex mirrors to improve the field-of-view of the camera. This type of system is called catadioptric omnidirectional vision system or catadioptric vision system.

Among different types of mirrors that can be combined with a camera, this work has focus on double lobed hyperbolic mirrors. Besides having the single view point property when combined with the perspective camera, this mirror profile allows the acquisition of two different images from the same scene, enabling to perform the omnidirectional stereoscopy, reducing computational complexity to calculate distances between objects within the environment (Souza & Motta 2012).

In this work a computer system is proposed to simulate the effects of such mirror parameters, aiming at studying the influence of double lobed hyperbolic mirror parameters in the 3D reconstruction of simple scenes.

2. OMNIDIRECTIONAL CATADIOPTIC VISION SYSTEM

The catadioptric omnidirectional vision system is basically composed by a convex mirror in front of a camera with the mirror center aligned with the optical axis of the camera. The system can be attached on the top of a robot for robotic navigation. The environment that surrounds the mirror is reflected to the optical center of the camera and its image is projected on a CCD optical chip.

Some mirror shapes when combined with certain cameras provide the single view point property and image unwarping without geometric non-linear distortions (Grassi, 2006). Figure (1) shows the catadioptric omnidirectional vision system schema.

Ribeiro, M. M., Motta, J. M. S. T.

Analysis Tool and Computer Simulation of a Double Lobed Hyperbolic Omnidirectional Catadioptric Vision System

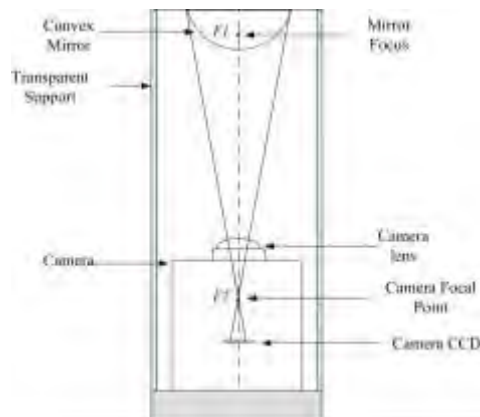


Figure 1. Catadioptric omnidirectional vision system schema.

2.1 Single View Point

The single view point (*SVP*) is a desired property in catadioptric vision systems, also used to classify such systems (Yagi, 1999). This property allows the unwarping of omnidirectional catadioptric images to cylindrical panoramic images, or even perspective images. The cylindrical panoramic image can be unwrapped into a cylindrical plane around the mirror.

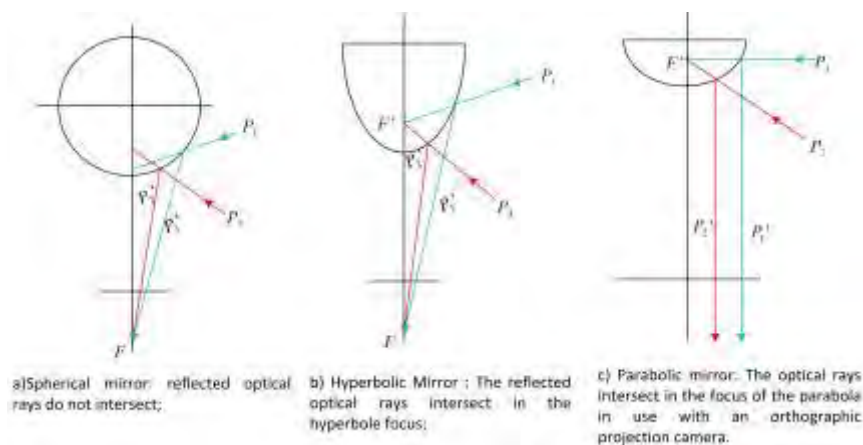


Figure 2. Convex mirrors shapes: a) spherical mirror. b) Hyperbolic mirror c) Parabolic mirror (adapted from Grassi Jr, 2002).

Figure (2a) shows the association between a spherical mirror and a camera that does not provide the *SVP* property. This configuration shows that the light beams originated from environment points P_1 and P_2 do not converge towards a common point (the mirror projection center). This convergence characterizes the *SVP*. The spherical mirror reflects the light beams to different points generating distorted and blurred images (Souza & Motta, 2012).

The *SVP* is observed in the other two associations between mirrors and cameras such as the hyperbolic mirror with perspective projection cameras (Fig. 3b) and the parabolic mirror with orthographic projection cameras (Fig. 3c). The parabolic mirror has the property of reflecting the light beams parallel to the orthographic camera's optical axis. In the hyperbolic mirror and perspective camera scheme (Fig. 3b), the light beams originated from the environment converge towards the projection center F' , and are reflected by the mirror surface to the camera focal point F .

The association of hyperbolic mirror and perspective projection camera is used in this work with a double lobed hyperbolic mirror profile. Such shape also has the *SVP* property (Souza, 2007).

2.2 Hyperbolic mirror design

A hyperbole can be described by two mirrored curves disconnected formed by the intersection between a conical surface and a plane. As a result, a set of $Cn(x,y)$ points can be drawn, such that the difference between the line segments $d1$ and $d2$ is constant, as shown in Fig. (3).

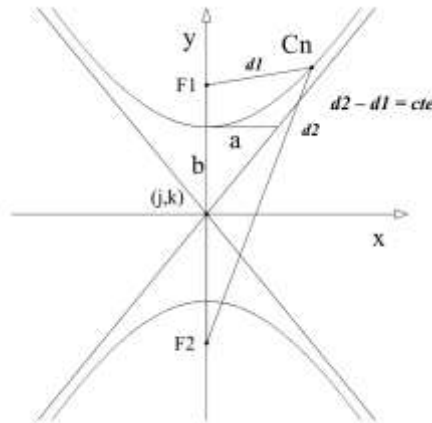


Figure 3. Hyperbole (adapted from Souza 2007).

The hyperbole curve is defined by.

$$\frac{(y - k)^2}{a^2} - \frac{(x - j)^2}{b^2} = 1, \tag{1}$$

where a and b are the hyperbole semi-axes that have their center located in (j, k) . If the hyperbole center is at the system origin ($j=0, k=0$), Eq. (1) can be simplified to

$$\frac{y^2}{a^2} - \frac{x^2}{b^2} = 1 \tag{2}$$

If the origin of the coordinate frame is moved from the point (j, k) (Fig. 3) to the mirror focus F_1 (Fig. 4) and the camera focus coincides with focus F_2 , then the geometric parameters of the association between a hyperbolic mirror with a camera of perspective projection can be found.

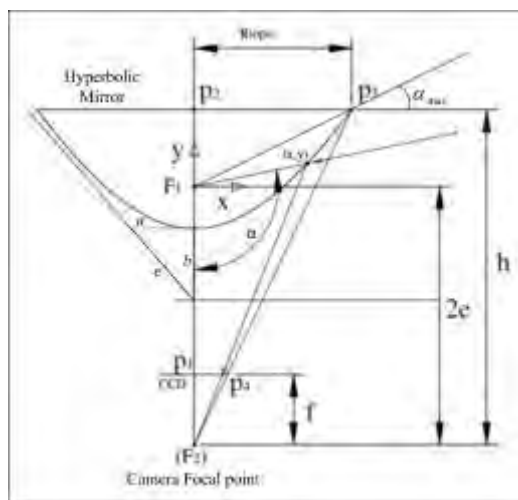


Figure 4. Hyperbolic omnidirectional system schema (Souza, 2007).

Ribeiro, M. M., Motta, J. M. S. T.
Analysis Tool and Computer Simulation of a Double Lobed Hyperbolic Omnidirectional Catadioptric Vision System

In Fig. (4) f is the camera focal length, h is the distance between the top of the mirror surface and the camera focus, R_{topo} is the x coordinate of the mirror surface at the mirror top and α is the angle of vision. Equations (3), (4), and (5) relate these parameters.

$$e = \sqrt{a^2 + b^2} \quad (3)$$

$$y = \sqrt{a^2 \left(1 + \frac{x^2}{b^2}\right)} - e \quad (4)$$

$$\alpha = \frac{\pi}{2} + a \cdot \tan\left(\frac{h - 2e}{R_{topo}}\right) \quad (5)$$

For the omnidirectional vision system to make use of all the camera CCD area and to be compact, a good relation between parameters h and R_{topo} must be found empirically. From the relationship between the similar triangles $F_2p_2p_3$ and $F_2p_1p_4$ it is possible to define h as

$$h = \frac{f \cdot R_{topo}}{T_{pixel} \cdot R_{pixel}} \quad (6)$$

, where R_{pixel} is the radius of the largest circumference that can be projected on the camera CCD, in pixels coordinates, and T_{pixel} is the dimension of each pixel of the camera CCD in millimeters. If the pixel cell is not squared T_{pixel} must be considered the shorter dimension of the CCD.

A relation $c=a/b$ of the semi-axes must be determined according to the mirror profile and angle of vision (Grassi Jr., 2002), and must be chosen according to the designed system application.

Once the c value is established its possible to calculate the semi-axis b using Eq. (7). Equation (7) is derived from Eq. (4) by using $(x, y) = (R_{topo}, y_{topo})$.

$$b = h \cdot \sqrt{c^2 + 1} - c \cdot \sqrt{h^2 + R_{topo}^2} \quad (7)$$

Svoboda et al (1997) shows different mirrors shapes by changing values of semi-axis a and b . The mirror shape defined by above equations influence the unwarping process, as described below.

3. STEREO OMNIDIRECIONAL VISION

Stereo vision performs 3D reconstruction of objects by using a pair of images acquired from two different positions. The spatial displacement between the two camera positions produces small disparities on the image of the objects. Using specific algorithms and knowing the camera parameters and the position of one camera relative to the other it is possible to calculate the 3D coordinates of an object using the disparities in the images of the two cameras.

Stereo algorithms carry out three basic tasks: a) extraction of specific image features, b) calculation of correspondences between similar features and c) triangulation between the corresponding features.

3.1 Double lobed hyperbolic mirrors stereoscopy

The techniques used to reconstruct a scene from a pair of omnidirectional stereo images restrict the effectiveness of the system. One of these limitations is the existence of an invisible space region, in the motion direction (Corrêa, 2006). The availability of only one camera and the need to capture at least one pair of stereo images requires the location of the system at two places to capture the two images. As the map of the environment is still not available, the motion to the second location may cause crashes with existing objects in the environment.

To reduce such limitations of the omnidirectional stereo vision system, a mirror with two hyperbolic lobes can be used to acquire simultaneously both images of a pair of stereo images, using a camera of perspective projection.

The double lobed hyperbolic mirror has alignment among their lobes focal points and the camera optical axis. (Fig. 5). The reflected image from mirror's lobes has a small difference provoked by spatial displacements of their lobes. This feature allow to perform the omnidirectional stereoscopy.

Figure 5 display the omnidirectional stereoscopy based in double lobed hyperbolic mirror in association with perspective projection camera.

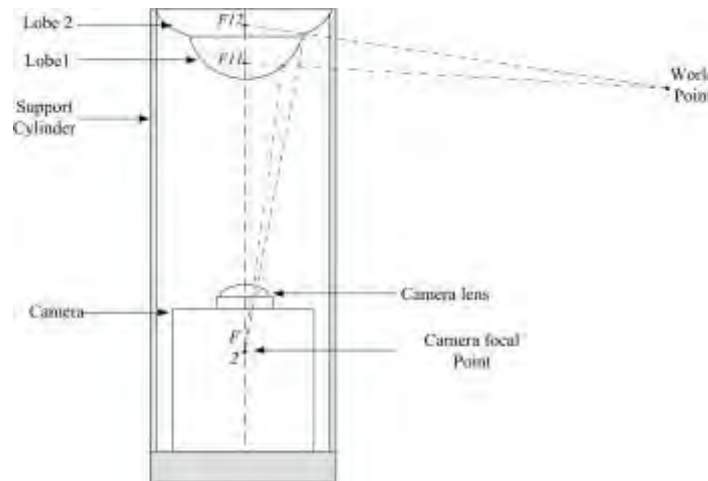


Figure 5. Omnidirectional stereoscopy based in double lobed hyperbolic mirror and a camera with perspective projection.

For each mirror lobe, it's necessary to compute the parameters using Eqs. (3), (5), (6) and (7). In order to perform this task, it is required to assign values for R_{topo1} (internal lobe) and R_{topo2} (external lobe). The camera parameters (f , R_{pixel1} , R_{pixel2} and T_{pixel}) are known. Next one can calculate h_1 , a_1 , e_1 for the internal lobe and h_2 , a_2 , e_2 for the external lobe. As an example, some parameters are calculated in Table 1 (Eq. 8), defining the mirror profile.

Table 1 - Omnidirectional vision system parameters.

Constant parameters				Calculated parameters					
Lobe	R_{topo} (mm)	f (mm)	T_{pixel} (mm)	R_{pixel2} (mm)	c (mm)	h (mm)	a (mm)	b (mm)	α (degree)
Internal (01)	23	16	0,009	307	1,5	133,19	56,05	37,37	86,15
External (02)	60			504	0,9	211,6	78,07	86,75	70,04

$$y(x) = \begin{cases} \sqrt{78,07^2 \left(1 + \frac{x^2}{86,75^2}\right)} + 116,71 & p/ \quad 23 < x \leq 60 \quad e \quad -60 \leq x < -23 \\ \sqrt{56,05^2 \left(1 + \frac{x^2}{37,37^2}\right)} + 67,37 & p/ \quad -23 \leq x \leq 23 \end{cases} \quad (8)$$

With the mirror equation defined, it is possible to simulate the profile and imaging of a double lobed hyperbolic omnidirectional mirror. Starting from the cylindrical panoramic image it is possible to perform the inverse unwarping to generate catadioptric images, using the mirror parameters. With the computer simulation model and a testing methodology the influence of the parameters on the mirror imaging performance can be validated. This methodology can be used specially to minimize errors and reduce unexpected imaging in an actual mirror design.

4. THE PROPOSED COMPUTER SYSTEM

The proposed computer system uses panoramic images which are unwrapped into omnidirectional catadioptric images in order to simulate the double lobed hyperbolic mirror imaging process. The omnidirectional catadioptric image is processed for the 3D object reconstruction from the surrounding environment. The unwrapped stereo images are concentric, enabling the extraction of geometric information from the 3D scene. However, the following restrictions are posed: *i*) errors caused by the camera intrinsic parameters or hardware failures are not considered and, *ii*) panoramic images may have various horizontal and vertical dimensions. With these restrictions the system was conceived to allow

parameter choices by the user such as f and T_{pixel} (camera parameters), R_{topo} and R_{pixel} (to be used in unwarp process) and $c = a/b$ for each lobe.

The system input is a cylindrical panoramic image. To unwarp the input image the system offers two options to generate the catadioptric image as defined in section 3, using the parameters of the double lobed hyperbolic mirror.

The features used by the system are image corners and edges. These features are simpler to detect and present in most of simple objects.

The algorithm to extract image features applies a nonlinear median filter on the catadioptric images to attenuate the effects of quantization generated for the unwarping process. Next, edge detection is performed (Ballard & Brown, 1992), followed by the corner detection by using the Harris algorithm (Harris & Stephens, 1998).

Figure 6 shows, as an example, a panoramic image with 1600×1200 pixels. Figure (7a) displays the resulting unwrapped image by using the mirror profile defined with the parameter values shown in Tab (1). Figure (7b) displays the image filtering result, Fig. (7c) shows the edges detected, whereas Fig. (7d) shows the corners detected.

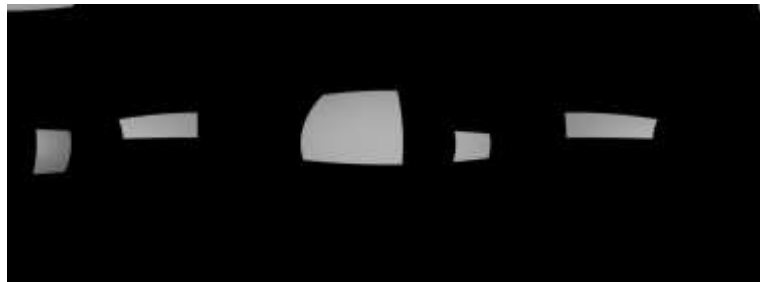


Figure 6. Cylindrical 1600×1200 pixels panoramic image generated by PovRay® software.

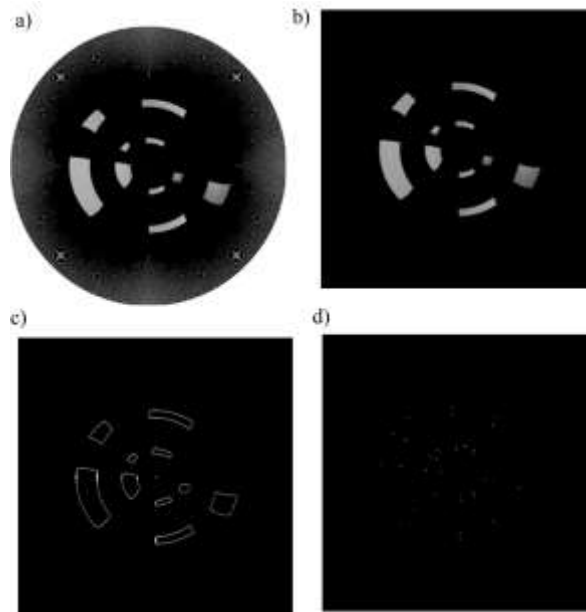


Figure 7. a) Rectified image. b) filtered by a Median non-linear filter. c) edge detection. d) corner detection.

The correspondence between similar features (supposed to be the images of the same object point on the two lobes) on a stereo catadioptric omnidirectional system can be restricted to the search of a point in a radial line. In the proposed system, this is carried out by finding a point c_2 (an object corner in the external lobe) that lies on the prolonged line that passes on the image center and on the point which is the similar corner on the internal lobe (c_1). This straight line has the same length of the radius of the largest circle that can be projected on the camera CCD. The search windows used to perform the correspondence are the circular windows proposed by Souza (2007). The circular windows W_1 , assigned to point c_1 , and W_2 to point c_2 , are used to calculate the sum of squared differences (SSD) in the neighborhood of the points. The pair of points that results in the lowest SSD is chosen as correspondent points.

Figure 8 shows a pair of correspondent points found in the catadioptric omnidirectional image (marked in red), on the radial straight line. Next to finding all possible pairs of correspondent points, the stereo algorithm is to perform the triangulation task.



Figure 8 – Pair of correspondent points (marked in red).

Since the correspondent point pairs are known, pair of points c_1 and c_2 can be used to calculate the coordinates of point $P(X, Y)$, as showed in Fig. (9).

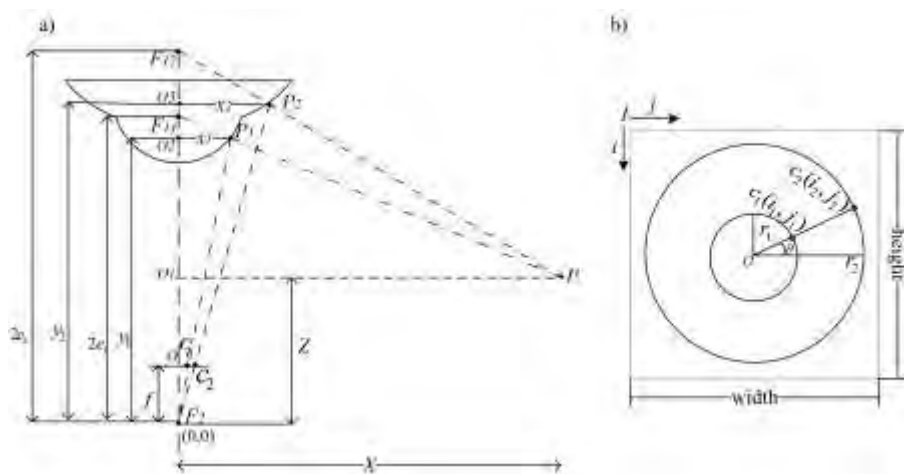


Figure 9. Geometric scheme to map the environment: a) triangulation, b) camera CCD (adapted from Souza, 2012).

Figure 9 presents the geometric scheme to extract the coordinates of P . Such coordinates can be calculated by using trigonometric equations to find the direction of the light rays that generate the image. Fig (9b) shows the geometry from which the P point coordinates can be calculated. The trigonometric equations used are:

$$r_1 = Oc_1 = \sqrt{\left(\frac{height}{2} - i_1\right)^2 + \left(j_1 - \frac{width}{2}\right)^2} \quad (9)$$

$$r_2 = Oc_2 = \sqrt{\left(\frac{height}{2} - i_2\right)^2 + \left(j_2 - \frac{width}{2}\right)^2} \quad (10)$$

In Eq. (9) and Eq. (10) *height* is the Camera CCD vertical dimension and *width* is its horizontal dimension.

The similar triangles F_2Oc_1 and $F_2O_2P_1$ can be used to relate x_1 e z_1 in Eq. (11). In the same way, the similar triangles F_2Oc_2 and $F_2O_3P_2$ relate x_2 and z_2 in Eq. (12).

$$\frac{z_1}{f} = \frac{x_1}{r_1} \quad (11)$$

$$\frac{z_2}{f} = \frac{x_2}{r_2} \quad (12)$$

Merging Eq.(4) with Eq. (9) the internal lobe profile equations are obtained in Eq. (13) and Eq. (14). Equation (15) and Eq. (16) can be related by merging Eq. (4) and Eq.(10), describing the external lob profile. Equation (13) and Eq. (14) calculates the coordinates of point $P_1(x_1, z_1)$, while Eq.(15) and Eq.(16) calculates the coordinates of point $P_2(x_2, z_2)$.

Ribeiro, M. M., Motta, J. M. S. T.

Analysis Tool and Computer Simulation of a Double Lobed Hyperbolic Omnidirectional Catadioptric Vision System

$$x_1 = \frac{\left(fe_1 b_1 + a_1 \sqrt{f^2 b_1^2 + r_1^2 e_1^2 - a_1^2 r_1^2} \right) \cdot r_1 b_1}{f^2 b_1^2 - a_1^2 r_1^2} \quad (13)$$

$$z_1 = \frac{x_1 f}{r_1} \quad (14)$$

$$x_2 = \frac{\left(fe_2 b_2 + a_2 \sqrt{f^2 b_2^2 + r_2^2 e_2^2 - a_2^2 r_2^2} \right) \cdot r_2 b_2}{f^2 b_2^2 - a_2^2 r_2^2} \quad (15)$$

$$z_2 = \frac{x_2 f}{r_2} \quad (16)$$

Similarity of triangles also can be used to relate the coordinates of point $P(X, Y)$ with the coordinates of the points $P_1(x_1, z_1)$ and $P_2(x_2, z_2)$. Using the similar triangles $F_1 P_1 O_1$ and $F_1 P O_1$ one can formulate Eq. (17) that express the relationship between $P(X, Z)$ and $P_1(x_1, z_1)$. In the same way, the similarity of triangles $F_2 P_2 O_2$ and $F_2 P O_2$ is formulated by Eq. (18), that relates $P(X, Z)$ and $P_2(x_2, z_2)$.

$$\frac{X}{x_1} = \frac{2e_1 - Z}{2e_1 - z_1} \quad (17)$$

$$\frac{X}{x_2} = \frac{2e_2 - Z}{2e_2 - z_2} \quad (18)$$

Merging Eq. (17) and Eq. (18) yields Eq. (19) and Eq.(20), the point P coordinates.

$$X = \frac{2x_1 x_2 (e_2 - e_1)}{x_1 (2e_1 - z_2) - x_2 (2e_1 - z_1)} \quad (19)$$

$$Z = 2e_2 - \frac{X(2e_2 - z_2)}{x_2} \quad (20)$$

For each pair of correspondent image points, the system calculates the coordinates (X, Z) of selected points of an object within the environment with origin at the camera focus point, making possible the construction of an environment map. By using such coordinates and the angle θ associated to each point (Fig. 9b), the distance between the mirror focus and an object point $P(X, \theta)$ in polar coordinates can be calculated, and then making possible to construct a map of points $P_n(X_n, \theta_n)$ (Fig. 10) with $n < \infty$.

5. METHODOLOGY TO EVALUATE RESULTS

The calculated object coordinate points $P_n(X_n, \theta_n)$ (Fig. 10) in a polar coordinate system can be transformed into a rectangular coordinates system, $p_n(x_n, y_n)$, by using Eq. (21) and Eq. (22), in such a way that they can be used to compare the reconstructed object coordinates with the object known world coordinates to evaluate the system accuracy.

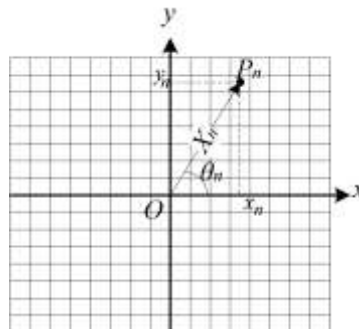


Figure 10. Transformation between polar and rectangular coordinates.

$$x_n = X_n \cdot \cos(\theta_n) \quad (21)$$

$$y_n = X_n \cdot \sin(\theta_n) \quad (22)$$

Since $P_w(x_w, y_w, z_w)$ and $p_n(x_n, y_n)$ are known, the reconstruction error can be calculated by using the Euclidean distance d between p_n and P_w (point coordinate in the environment) as

$$d_{(p_n, P_w)} = \sqrt{(x - y_{P_w})^2 + (z - y_{P_w})^2} \quad (23)$$

Equation (23) shows the reconstruction errors and can be used to estimate the measurement accuracy of the proposed system. In this work, the Z coordinate (vertical distance between the system focal point and the environment point) was not used for error calculations since no vertical displacement was programmed in the experiments.

To calculate the error results, a simulated environment with a ray tracing tool PovRay® was created. Such environment was designed to evaluate the system performance and to calculate the distance between scene points and the system focal point, according to the mirror parameters.

The environment is composed by two cubes with different sizes. The larger cube (edge = 50 cm) is displayed in gray color and the smallest cube (edge = 30 cm) is displayed yellow color.

The scale of the environment model used was 1:10, i.e. an object vertex located on coordinate point $p_{pov} = (15\text{cm}, 8,5\text{cm}, 8,5\text{cm})$ in the PovRay tool has its actual world location at $p_a = (150\text{ cm}, 85\text{cm}, 85\text{cm})$. Table 2 shows the position of the vertices of two cubes. The coordinate point $Vi(x_i, y_i, z_i)$ represents the closest cube vertex to the system focal point (marked as red in Fig. 11) whereas $Vf(x_f, y_f, z_f)$ represents the farther vertex.

Table 2. Position of the objects inside designed scene.

Object	Edge size	PovRay vertex	Environment vertex
Cube 1 (yellow)	30 cm	$Vi=(15, 8,5, 8,5)$	$Vi=(150, 85, 85)$
		$Vf=(18, 11,5, 11,5)$	$Vf=(180, 115, 115)$
Cube 2 (gray)	50 cm	$Vi=(15, 7,5, 7,5)$	$Vi=(150, 85, 85)$
		$Vf=(18, 12,5, 12,5)$	$Vf=(180, 115, 115)$
System focal point (red)	n/a	$P=(10, 10, 10)$	$P=(100, 100, 100)$

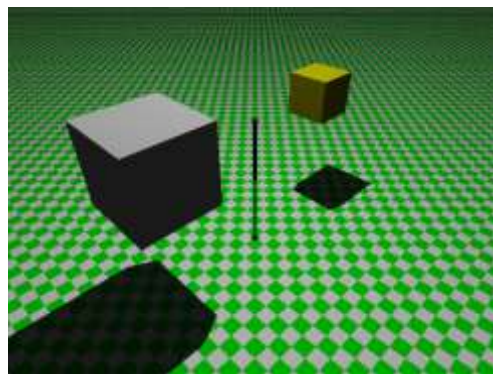


Figure 11. Designed experimental environment. The red point represents the system focal point.

The simulation process implemented makes use of different distances between the system focal point and the cubes (ranging from 50 cm to 200 cm). In each of the four experimental runs, such distance is added by 50 cm. In each run a new cylindrical panoramic image is simulated, and the steps described so far in this article are performed. The four experiment runs are performed with different mirror parameters, that range according to Tab. (3). In this work the errors associated with reconstructed edges are named as ‘shape error’, whereas the error associated to the vertices coordinates are named as ‘position error’.

Table 3. Mirror range parameters.

Parameter	Min value	Average	Max value	Increment
R_{topol} (mm)	15	37,5	60	5
R_{topo2} (mm)	45	67,5	90	5
R_{pixel1} (pixels)	130	180	220	10
R_{pixel2} (pixels)	300	425	550	25
$c_1 = a_1 / b_1$	0,5	1,4	2,3	0.2
$c_2 = a_2 / b_2$	0,5	1,4	2,3	0.2

When a parameter is to be varied in the simulation analysis, the average value of the remaining parameters shown in Tab. 3 are taken as constants in a run. For example, when c_2 is in focus, the others parameters are taken as their average values displayed in Tab. (3). The set of camera's intrinsic parameters were fixed in $f= 16$ mm and $T_{pixel} = 0,009$ mm.

6. ANALYSIS OF THE RESULTS

The results obtained from the experiments to analyze the system accuracy by varying the catadioptric double lobed mirror parameters show that the calculated errors have an expected behavior, reflecting the ability of the proposed system to maintain the geometric shapes of the environment's objects during the reconstruction task. However, variations of the object distance within the scene appear to be a restriction for proper applications of the omnidirectional system.

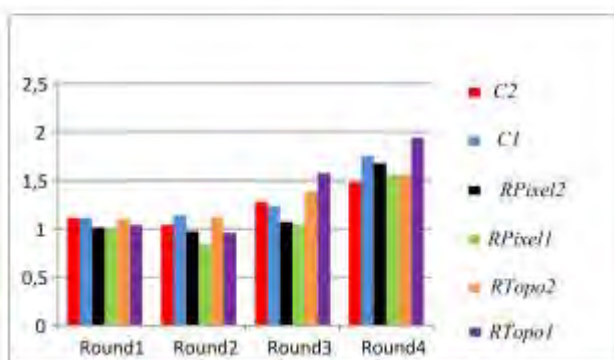
It was observed that a factor that can reduce the system accuracy by increasing the quantization effects (Fig. 8a) is the ratio between the vertical resolution of the cylindrical panoramic and the R_{pixel2} parameter that defines the catadioptric image size. Equation 24 proposes a ratio that generates satisfactory results, minimizing the quantization effects.

$$R_{pixel2} \leq \frac{V_{pn}}{3} \quad (24)$$

By using a value for R_{pixel2} that satisfies Eq. (23), the image process that applies a median filter to the image can be skipped, reducing the computational cost of the system.

Figure (12) shows two graphical results of the errors associated to specific mirror geometric parameters of the experiment runs.

a) Euclidian Distance Average x Experiment Rounds



b) Average vertex error x Experiment Rounds

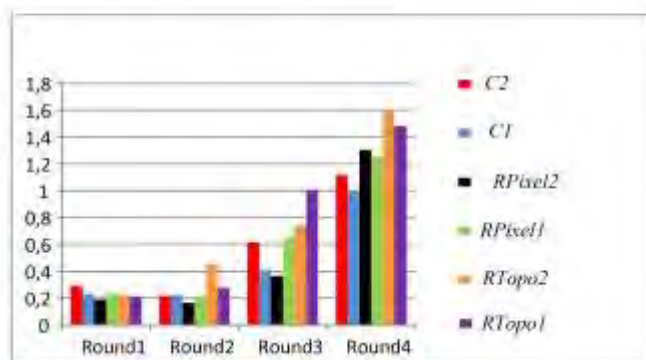


Figure 12. Average error: a) Position error e b) Shape error.

It can be observed that R_{topo2} , R_{pixel1} and c_2 have more effect on the position errors than R_{topo1} , R_{pixel2} and c_1 . That means, their variation (R_{topo2} , R_{pixel1} and c_2) produce larger variations in the position errors of the vertices. This effect can also be observed when one looks to the shape errors (edge errors), in special R_{pixel1} .

The variation of R_{topo1} and R_{topo2} shows that by increasing the hyperbole base, so varying the mirror lobe profile, the errors are reduced. This happens because data obtained from the scene by using larger mirrors brings about more information to the camera CCD. It can be seen that there is a larger error variation as a consequence of variations of R_{topo1} than with R_{topo2} in all experiment runs.

Regarding the variation of the parameters R_{pixel1} and R_{pixel2} , the results show that the errors are reduced by increasing the value of R_{pixel2} , but R_{pixel1} has smaller effect on errors when its value are median (ranging from 160 to 190 *pixels*). It can be observed that when the area of internal lobe of the catadioptric image exceeds 50% of the whole circumference radius, the efficiency of the system decreases.

Concerning the variation of the parameters c_1 and c_2 , it is shown that there is a tendency to reduction in errors when their values ranges around their median values and worsen errors when their values are in the extremes of their range. In other words, the best results are achieved when their values ranges from 0.9 to 1.7. Such parameters have influence on the mirror curvature and highlight that lobes with accentuated curvatures, in general, increase the errors. However, the results show that the parameter c_1 must be larger than c_2 . The constraint $c_1 \geq 1,5c_2$ has shown to produce satisfactory results.

The average errors are shown in Fig. (13). Figure 13a depicts the average position errors of the four runs. Figure 13b shows the average shape error. Table (4) displays the ratio between position and shape errors and the actual vertex distance used in the experimental runs.

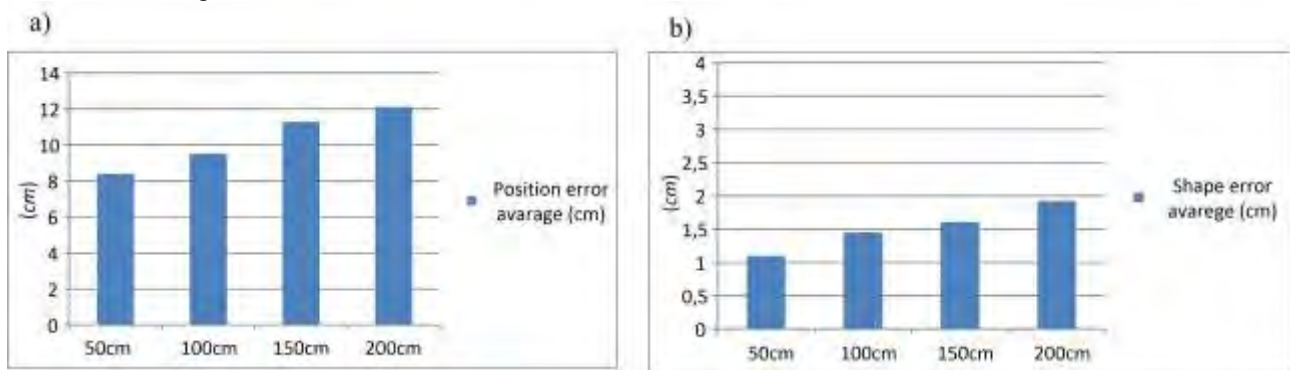


Figure 13. Average error in 4 experiment run: a) average position error and b) average shape error.

Table 4. Ratio between distances of experimental runs and the average of both position and shape errors.

Error/Distance (mm)	500 mm	1000 mm	1500 mm	2000 (mm)
Position error	80:500 (0,16)	90:1000 (0,09)	110:1500 (0,073)	120:2000(0,06)
Shape error	10:500 (0,02)	14:1000(0,014)	16:1500(0,01)	19:2000(0,0095)

The average position errors shown in Fig. (13) allow one to observe that the proposed system has limited accuracy. However, the observed average shape errors allows to one to conclude that the object reconstruction performed by the system makes it feasible to be used in some applications. The relatively large position errors can be associated to the compression of data that occurs when using hyperbolic mirrors. Such compression implies in loss of information about the scene, increasing the average position error.

An alternative to reduce the errors observed in the experiments can be the use of smaller pixel sizes (e.g. $T_{\text{pixel}}=0.005\text{mm}$) and larger resolutions. Such choices would increase the amount of image data collected by the CCD.

7. CONCLUSIONS

In this work, it was developed a computer system to simulate the generation of omnidirectional images from cylindrical panoramic images with catadioptric systems and also to check the influence of the geometric parameters involved on the imaging process. The results shows that the system can be used as an aid for the design and construction of omnidirectional catadioptric systems with double lobe hyperbolic mirrors aiming at stereoscopy. The proposed computer system allows the manipulation of these parameters in order to evaluate their influence on the accuracy of environment 3D reconstruction and also to simulate the metrological precision of a double lobed hyperbolic mirror already designed.

Ribeiro, M. M., Motta, J. M. S. T.

Analysis Tool and Computer Simulation of a Double Lobed Hyperbolic Omnidirectional Catadioptric Vision System

Four runs of experiments were proposed to validate the use of the developed system. This validation involved the design of a second environment using the rendering tool PovRay®. In each run of experiments variations were performed in the omnidirectional system parameters. At each change of parameters, position and shape errors at different visible vertex or edge by the system were calculated. Along the experiments, the objects within the environment were displaced and parameters recalculated.

It was observed that R_{topo2} , R_{pixel1} and c_2 have more influence in the scene reconstruction than R_{topo1} , R_{pixel2} and c_1 . It can be also observed that the effect of the scene object distance from the mirror system has shown to be an important restriction to an omnidirectional vision system based on hyperbolic double lobed mirrors.

8. REFERENCES

- Ballard, D. H., & Brown, C. M., 1982. "Computer Vision". Englewood Cliffs, New Jersey, USA: Prantice-Hall.
- Harris, C., & Stephens, M., 1988. "A Combined Corner and Edge Detector". *Proceedings of the 4th Alvey Vision Conference*, p. 147 -151.
- Barreto, J. P., & Araujo, H., 2001. "Issue on the Geometry of Central Catadioptric Image Formation". *Computer Vision and Pattern Recognition (CVPR 2001) Vol. 2*, (pp. II - 422-427). Kawai, Havai.
- Beker, S., & Nayar, S. K., 1998. "A Theory of Catadioptric Image Formation". *International Conference on Computer Vision*, p. 213-220. Bombay, India.
- Caron, G., Mouaddib, E. M., and Marchand, E., 2012, "3D Model Based Tracking For Omnidirectional Vision: A New Spherical Approach". *Robotics and Autonomous Systems*, 60(8), 1056-1068.
- Corrêa, F. R., Guizilini, V. C., & Okmoto-Jr., J. (2006). "Omnidirectional Stereovision system with tow-lobe Hyperbolic Mirror for robot navigation". *ABCN Symposium Series in Mechatronics*, Vol. 2, pp. 653-660.
- Deccó, C. C. (2004). "Construção de Mapas de Ambiente para Navegação de Robôs Móveis com Visão Omnidirecional Estéreo". Tese (Doutorado). São Paulo, SP, Brasil.
- Grassi Jr, V., 2002. "Sistema de Visão Omnidirecional Aplicado no Controle de Robôs Móveis". *Dissertação (Mestrado)*. São Paulo, SP.
- Grassi Jr, V., and Okamoto Jr, J. 2006. "Development of an Omnidirectional Vision System". *Journal of the Brazilian Society of Mechanical Sciences and Engineering* Vol. 28, No.1, 658-68.
- Souza, G.G., 2007. "Simulation and Design of an Omnidirectional Catadioptric Stereo Vision System With a Hyperbolic Double Lobe Mirror For Environment Mapping From Mobile Robots". *19th International Congress of Mechanical Engineering (COBEM)*. Brasilia.
- Souza, G.G., and Motta, J.M.S.T., 2012 "Simulation and Design of an omnidirectional catadioptric stereo vision system with a hyperbolic double lobed mirror for environment mapping from mobile robots." In *ABCN Symposium Series in Mechatronics*, Vol. 5, p. 9-18.
- Svoboda, T., Pajdla, T., and Hilavac, V., 1997. "Central Panoramic Cameras: Geometry and Design". *Czech Technical University, Faculty of Electrical Engineering*, Center for Machine Perception, Praga, Czech Technical University.
- Yagi, Y., 1999. "Omnidirectional Sensing and Its Applications". *IEICE Transactions on Information and Systems*, p. 568-579. VE82-D, N° 3.

9. RESPONSIBILITY NOTICE

The authors are the only responsible for the printed material included in this paper.