

STUDY OF SPEED CONTROL OF THE IMPLANTABLE CENTRIFUGAL BLOOD PUMP TO AVOID AORTIC VALVE STENOSIS

Tarcísio Leão

Eduardo Guy Perpétuo Bock

Marcelo Barboza Silva

Federal Institute of Technology in Sao Paulo, Rua Pedro Vicente, 625, São Paulo (SP), Brazil

leao@ifsp.edu.br; eduardo_bock@yahoo.com.br

Beatriz Uebelhart

Jeison Fonseca

Bruno Utiyama Silva

Juliana Leme

Cibele Silva

Aron Andrade

Institute Dante Pazzanese of Cardiology, Av. Dr. Dante Pazzanese, 500, São Paulo (SP), Brazil

biauebelhart@gmail.com; jfonseca@dantepazzanese.org.br; aron@dantepazzanese.org.br

Abstract. This paper presents a computational simulation of electromechanical actuator performance of the Implantable Centrifugal Blood Pump (ICBP) as part of a speed controller study to avoid aortic valve stenosis. The ICBP as Left Ventricular Assist Device (LVAD) is an electromechanical device designed for long-term assist left heart in performing its functions. The centrifugal pumps are controlled by varying the rotor (impeller) speed. ICBP successful operation depends on an appropriate rotational speed control system, ensuring: 1) no reverse flow through the pump during left ventricle diastolic phase, and 2) aortic valve correct opening, avoiding later valve stenosis. A computational model of the actuator done in Matlab / Simulink (R2010b, MATHWORKS, Massachusetts, USA) was used in the simulations. Signals equivalent to intraventricular pressure and a variable rotational reference were used to evaluate motor and speed controller performance. Speed values were chosen so that pressure pump exceeds intraventricular pressure only after the opening of aortic valve. The proposed controller is Proportional-Integral (PI) type. The simulation results were satisfactory, no steady error in response speed.

Keywords: Left Ventricular Assist Device, Aortic Valve Stenosis, Centrifugal Blood Pump, Computational Model, Artificial Organs

1. INTRODUCTION

A novel Implantable Centrifugal Blood Pump (ICBP) has been developed in our laboratories, to be used as Ventricular Assist Device (VAD) for long term circulatory assistance with a unique impeller design concept. This feature was called dual impeller because it allies a spiral-shaped cone with vanes to improve blood flow characteristics around the top inflow area to avoid blood clot due to stagnant flow. This work is part of ICBP multi-institutional project of a VAD for long term application (Bock, 2008).

This device is composed of: continuous flow centrifugal blood pump, Brushless Direct Current (BLDC) motor, controller to drive the motor and battery system. Centrifugal pumps represent the majority of research currently developed, which allows operation at lower motor speeds (approximately 2,000 rpm) than the continuous flow axial pumps; obtain lower rates of hemolysis, i.e., less damage to blood elements, have anatomically compatible dimensions and reach the estimated life together in support of 2 years. Figure 1 shows the motor and ICBP.

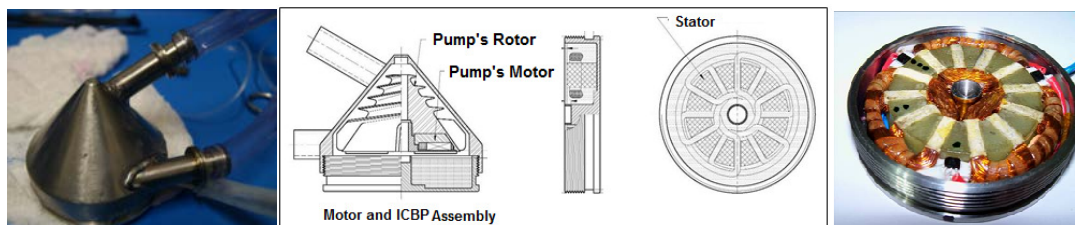


Figure 1. Picture and Draw of the ICBP and BLDC Motor assembly.

The ICBP as Left Ventricular Assist Device (LVAD) is an electromechanical device designed for long-term assist left heart in performing its functions. The centrifugal pumps are controlled by varying the rotor (impeller) speed. ICBP

Leão, T., Bock, E., Uebelhart, B., Fonseca, J., Silva, B., Leme, J., Silva, C. and Andrade, A.
Study of Speed Control of the Implantable Centrifugal Blood Pump to Avoid Aortic Valve Stenosis

successful operation depends on an appropriate rotational speed control system, ensuring: 1) no reverse flow through the pump during left ventricle diastolic phase, and 2) aortic valve correct opening, avoiding later valve stenosis.

The brushless motors, BLDC, have been the main component of propulsion in the development of most of the VAD. Among the characteristics that make use in implantable pumps, there is the absence of brushes, which avoid wear observed in other electrical motors, and intolerable in implantable systems. The operation at high rotational speeds and small size are also factors that support this use (Bock, 2011).

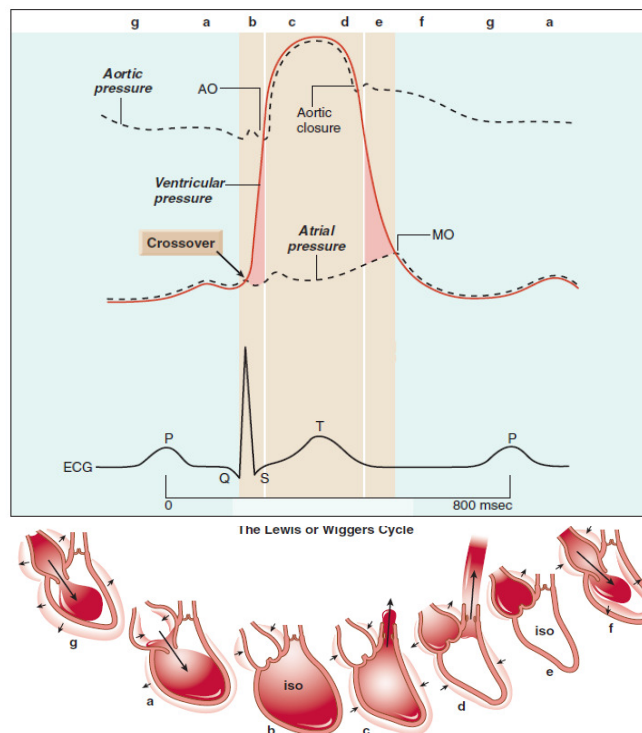
A computational model was created to represent dynamics and control applied to actuator and driver of the ICBP. A reliable model is an important tool to set up parameters of ICBP controller (Leão, 2012a). Future applications may be integrate the model to a cardiac simulator (Fonseca, 2011). The Matlab/Simulink (MATHWORKS, R2010b, Massachussets, USA) platform was chosen as virtual environment for simulation because it allows data and results integration with other software, including Comsol Multiphysics, that is being used for modeling of ICBP.

The dynamic model is necessary to study transients of the motor drive system and steady state. The instantaneous currents are crucial for power computation and electromagnetic torque is important for drive system performance evaluation. These features become a significant factor in appliances such as VAD (Leão, 2012b).

This paper has been divided into three main parts; the first consist of mechanisms of cardiac contraction and relaxation; the second part that describes the virtual implementation with help of Matlab / Simulink blocks diagram to represent the electromechanical actuator and physiological parameters; and third part that shows the computational model results to speed control and discussion about physiological impact in ICBP perform. Furthermore, the main contribution of this paper is to study BLDC speed control with torque and speed variables under physiological parameters.

2. MECHANISMS OF CARDIAC CONTRACTION AND RELAXATION

Braunwald (2012) shows the cardiac cycle. The cycle conceived by Wiggers and fully assembled by Lewis is important information on the temporal sequence of events in the cardiac cycle. Figure 2 shows Left Ventricular (LV) events. The three basic events are: LV Contraction (letters b and c), LV Relaxation (letters d and e) and LV Filling (letters f, g and a) shown in fig. 2. Although similar mechanical event occur in right ventricle this work focused on left ventricle.



Legend. a = atrial systole or booster; b = isovolumic contraction; c = maximal ejection; d = start of relaxation and reduced ejection; e = isovolumic relaxation; f = rapid phase; g = slow filling; AO = aortic valve opening; MO = mitral valve opening; ECG = electrocardiogram. Cycle length of 800 milliseconds for 75 beats/min.

Figure 2. The mechanical events in the cardiac cycle. (Braunwald, 2012. Adapted)

In figure 2 was showed cardiac cycle to normal person, but ICBP is indicated to person with heart failure. However, person with heart failure has cardiac cycle similar to normal person, only with amplitude pressure modified (in most cases). Therefore simulations in this paper used cardiac cycle data to normal person.

3. SIMULINK MODEL

The BLDC model implemented in MATLAB/SIMULINK used blocks of the SimPowerSystems toolbox. The BLDC was simulated with a block of Permanent Magnet Synchronous Machine (PMSM) with a trapezoidal back electromotive force (BEMF) signal. Electrical and mechanical parts of the machine are represented by a second-order state-space model.

The BLDC is connected to an inverter and supplied by a variable source of Direct Current (DC). This source is adjusted by a Proportional Integral (PI) control with feedback of motor speed. A measures block was included to measure stator current, i.e., power of BLDC. Figure 3 show BLDC block diagram implemented. This model was validated to represent BLDC motor as electromechanical actuator of ICBP (Leão, 2012b).

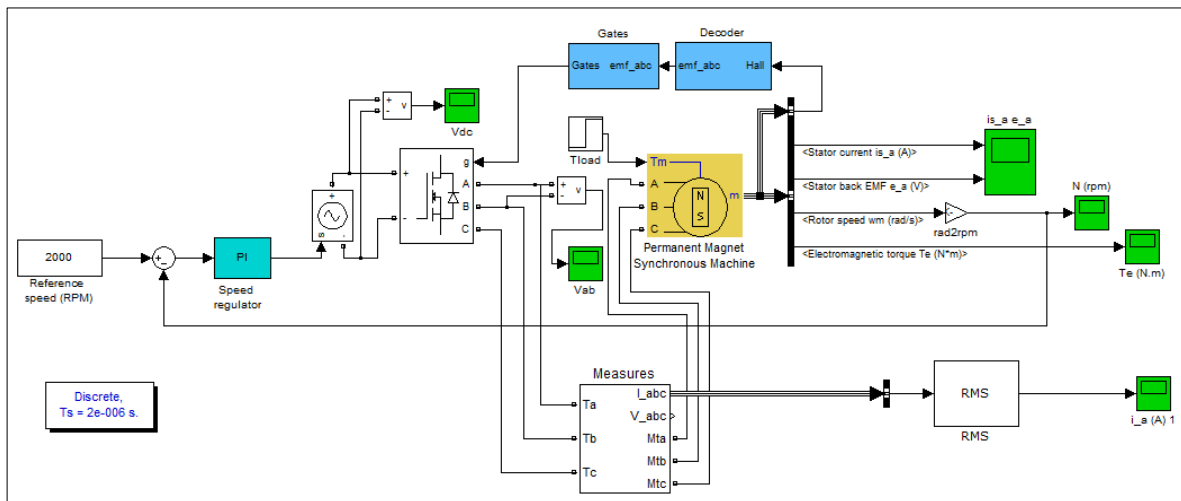


Figure 3. Block Diagram BLDC

Subsystem was made to generate pressure ventricle and aortic signal (75 beats/min), Fig. 4. Differential pressure between aortic and ventricle pressure was used as torque signal. In Fig. 3, Tload block was replaced by Pressure Generator subsystem. Load torque value has been obtained from tests previously carried out (Bock *et al.*, 2008; Leão *et al.*, 2009).

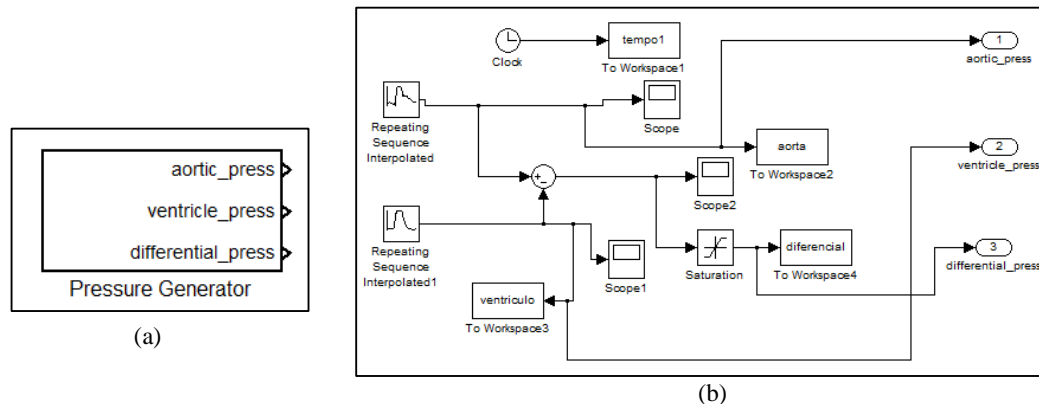
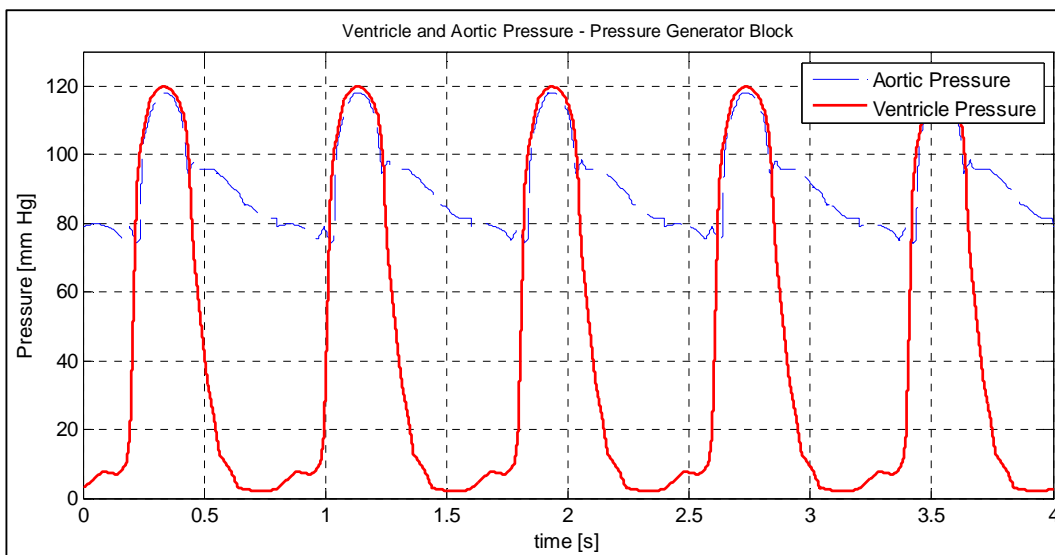


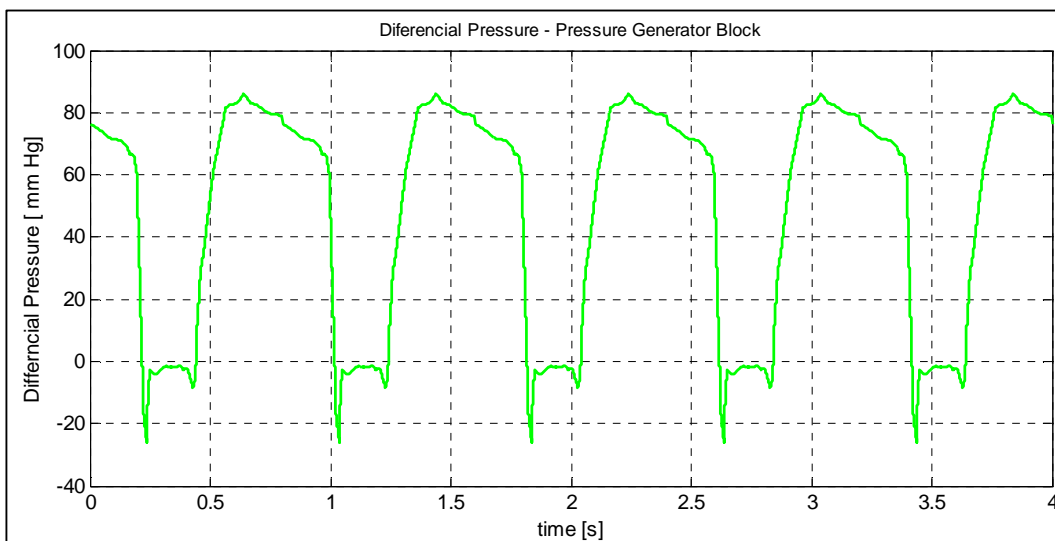
Figure 4. Pressure Generator. (a) Subsystem Block; (b) Internal Diagram Block

Leão, T., Bock, E., Uebelhart, B., Fonseca, J., Silva, B., Leme, J., Silva, C. and Andrade, A.
 Study of Speed Control of the Implantable Centrifugal Blood Pump to Avoid Aortic Valve Stenosis

Figure 5 shows waveform aortic, ventricle and differential pressure generated by subsystem.



(a)



(b)

Figure 5. Signal pressure generated by subsystem. (a) Ventricle and Aortic Pressure; (b) Differential Pressure.

Figure 6 presents differential pressure signal as torque signal to simulate pressure variation in pump inlet. A saturation block was used to limit negative torque. It because BLDC model works as motor when receives positive torque signal and as generator when receives negative torque. Furthermore, negative pressure means pressure loss through aortic valve, condition that is not of interest to this paper.

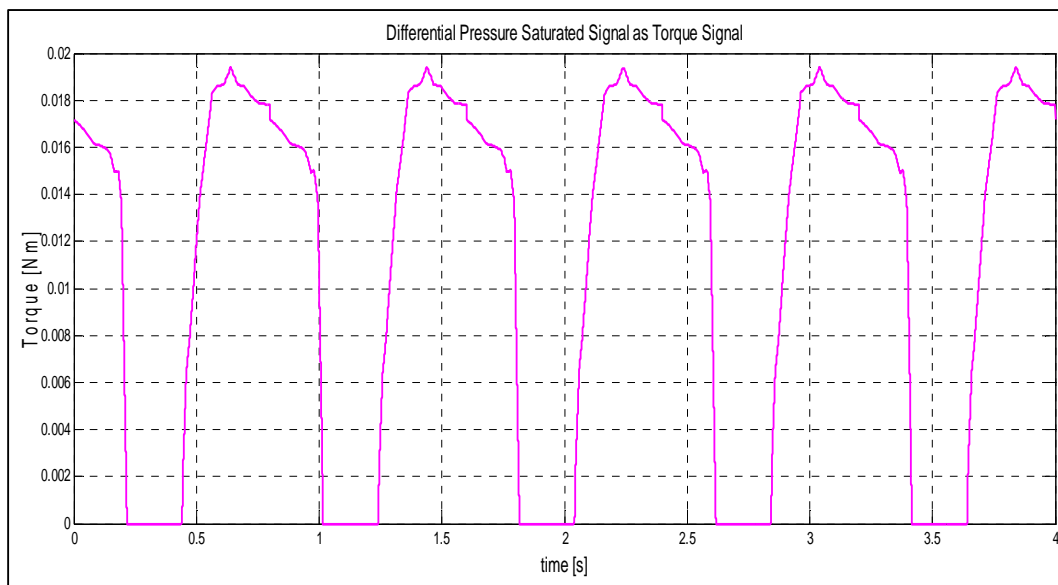


Figure 6. Differential Pressure Signal as Torque Signal.

Speed signal was proposed in pulses so that ensure aortic valve opening, avoiding aortic stenosis. Pressure pulse was synchronized with the cardiac cycle, while maintaining low-speed in start of systole (b phase in Fig. 2) and rising speed after start of relaxation (d phase in Fig. 2). Speeds used in simulations are typical VAD speeds found in centrifugal pumps, values between 1800 and 2200 rpm (Nosé, 1998; Leão *et al*, 2009; Hayward *et al*, 2011).

4. RESULTS

Figure 7 shows simulation result about speed control. Blue dashed line represents speed reference (synchronized with cardiac cycle). Red solid line represents speed BLDC response with PI controller. Green dotted line represents ventricle pressure signal (without scale, only to check synchronism). The steady speed error was less than 2%.

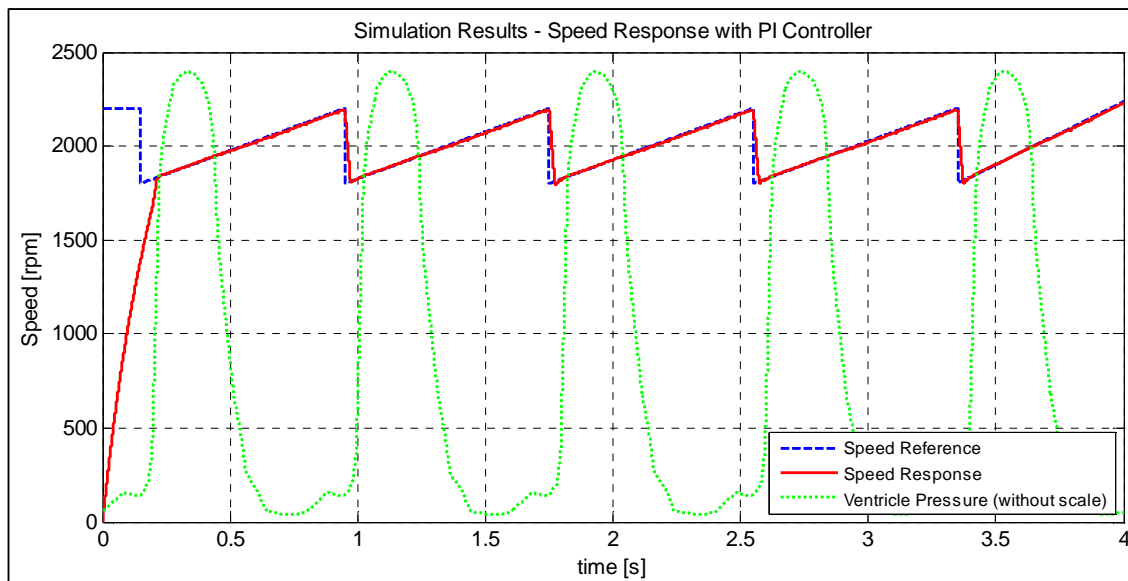


Figure 7. Speed controller response.

In speed pump of 1800 rpm the ICBP works only for no reverse flow. In this case, ventricle performs blood ejection through aortic valve. With speed increasing ICBP generates blood flow to aortic.

Leão, T., Bock, E., Uebelhart, B., Fonseca, J., Silva, B., Leme, J., Silva, C. and Andrade, A.
Study of Speed Control of the Implantable Centrifugal Blood Pump to Avoid Aortic Valve Stenosis

5. CONCLUSION

Simulink computational model was considered satisfactory to represent BLDC dynamics and to generate physiological signals (aortic and ventricle pressure).

PI control was considered satisfactory to speed adjust, even with speed variable reference and torque variable. Steady speed error was less than 2%, it is appropriated to generate flow through ICBP.

The controller results are promising for its use as a pulsatile flow VAD synchronized with the natural heart rate, especially to guide its construction.

Future work will implement the controller in “In Vitro” and “In Vivo” tests.

6. ACKNOWLEDGEMENTS

The authors are grateful to Instituto Federal de São Paulo – IFSP, Instituto Dante Pazzanese de Cardiologia – IDPC, Fundação de Amparo à Pesquisa do Estado de São Paulo – FAPESP and Hospital do Coração – Hcor for partially supporting this research.

7. REFERENCES

- Bock, E., Ribeiro, A., Silva, M., Antunes, P., Fonseca, J., Legendre, D., et al, 2008. *New Centrifugal Blood Pump with Dual Impeller and Double Pivot Bearing System: Wear Evaluation in Bearing System, Performance Tests, and Preliminary Hemolysis Tests*. *Artificial Organs*; 32(4):329-333,. DOI:10.1111/j.1525-1594.2008.00550.x.
- Bock, E., Antunes, P., Leão, T., Uebelhart, B., Fonseca, J., Leme, J., et al, 2011. *Implantable Centrifugal Blood Pump With Dual Impeller and Double Pivot Bearing System: Electromechanical Actuator, Prototyping, and Anatomical Studies*. *Artificial Organs*; 35(5):437–442,. DOI: 10.1111/j.1525-1594.2011.01260.x.
- Braunwald, E., *Braunwald's Heart Disease: A Textbook of Cardiovascular Medicine*. Philadelphia, Elsevier Saunders, 2012.
- Hayward, C.S., Salamonsen, R., Keogh, A.M., Woodard, J., Ayre, P., Prichard, R., et al. 2011. *Effect of Alteration in Pump Speed on Pump Output and Left Ventricular Filling with Continuous-Flow Left Ventricular Assist Device*. *ASAIO Journal*; 57(6):495-500, November/December 2011. doi: 10.1097/MAT.0b013e318233b112
- Leão, T., Fonseca, J., Andrade, A., Bock, E. 2009. *Desempenho “In Vitro” do atuador eletromecânico da bomba de sangue centrífuga implantável*. In *Proceedings 2º Encontro Nacional de Engenharia Biomecânica, 2009, Florianópolis – ENEBI 2009, Florianópolis, Brazil*.
- Leão T, Bock E, Fonseca J, Andrade A, Cavalheiro A, Uebelhart B, et al, 2012a. *Modeling Study of an Implantable Centrifugal Blood Pump Actuator with Redundant Sensorless Control*. In *Proceedings of the 44th Southeastern Symposium on System Theory, IEEE, Mar 11-13, 2012. University North Florida, Jacksonville, FL*. < 978-1-4577-1491-7/12/\$26.00 ©2012 IEEE>.
- Leão, T., Bock, E., Campo, A., Chabu, I., Uebelhart, B., Fonseca, J., Andrade, A., 2012b. *Actuator of the Implantable Centrifugal Blood Pump: Model and Variable Speed Controller*. In *Proceedings of the 7th Technology and Medical Sciences International – TMSi 2012. Belo Horizonte, Brazil*.
- Nosé Y., 1998. *Design and Development Strategy for the Rotary Blood Pump*. *Artificial Organs*. 22:438-446.
- Fonseca J, Andrade A, Nicolosi D, Biscegli J, Leme J, Legendre D, et al, 2011. *Cardiovascular Simulator Improvement: Pressure versus Volume Loop Assesment*. *Artificial Organs*; 35(5):454–458,. DOI:10.1111/j.1525-1594.2011.01266.x.

8. RESPONSIBILITY NOTICE

The authors are the only responsible for the printed material included in this paper.